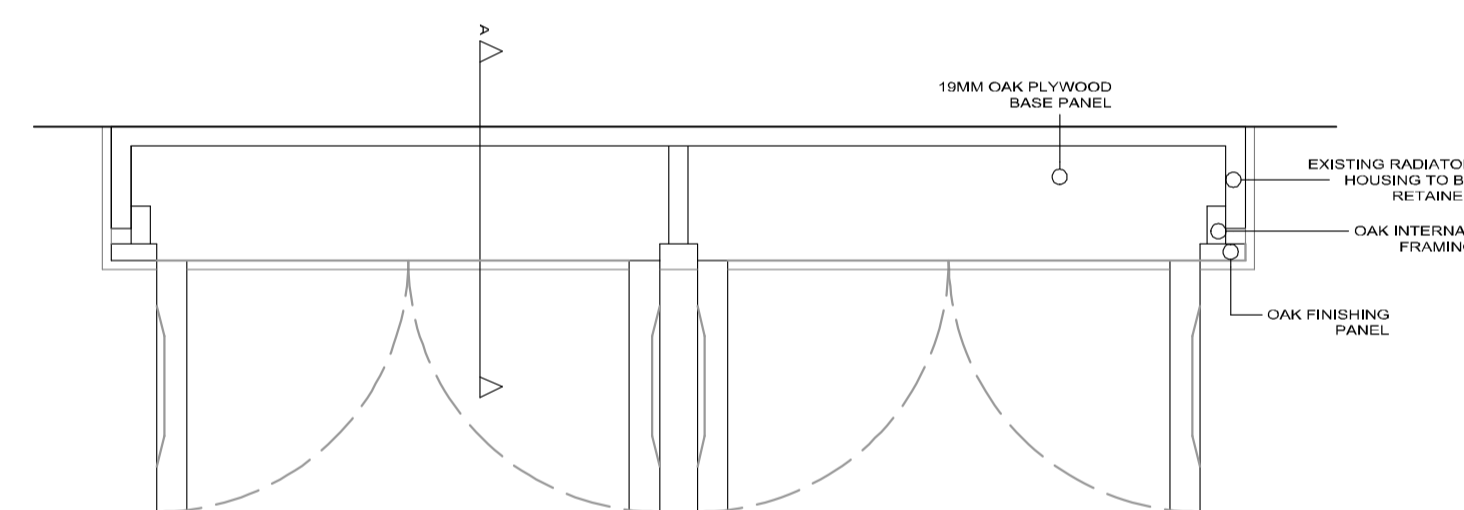
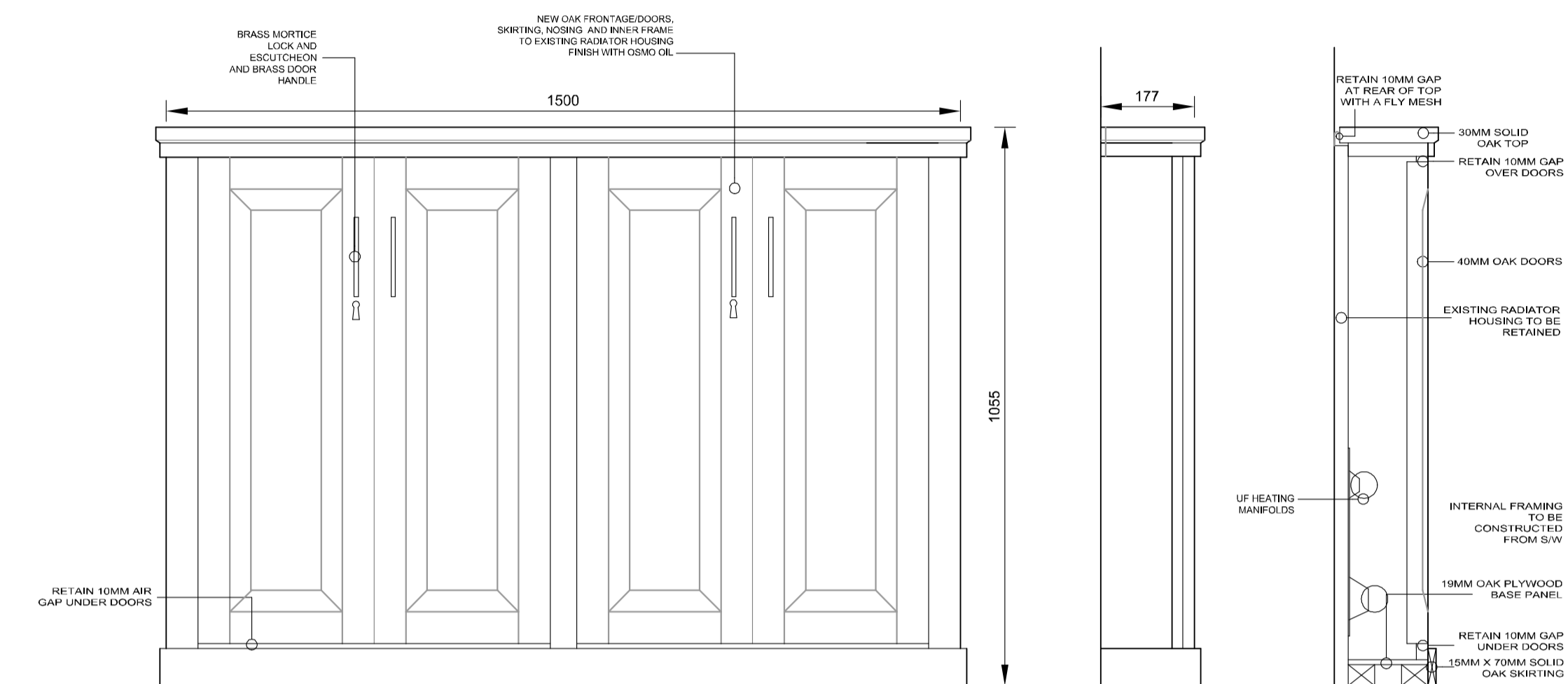
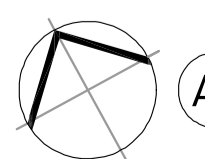


1:10 CHANCEL UNDERFLOOR HEATING MANIFOLD HOUSING



1:10 NAVE UNDERFLOOR HEATING MANIFOLD HOUSING UTILISING THE EXISTING RADIATOR HOUSING



A1

