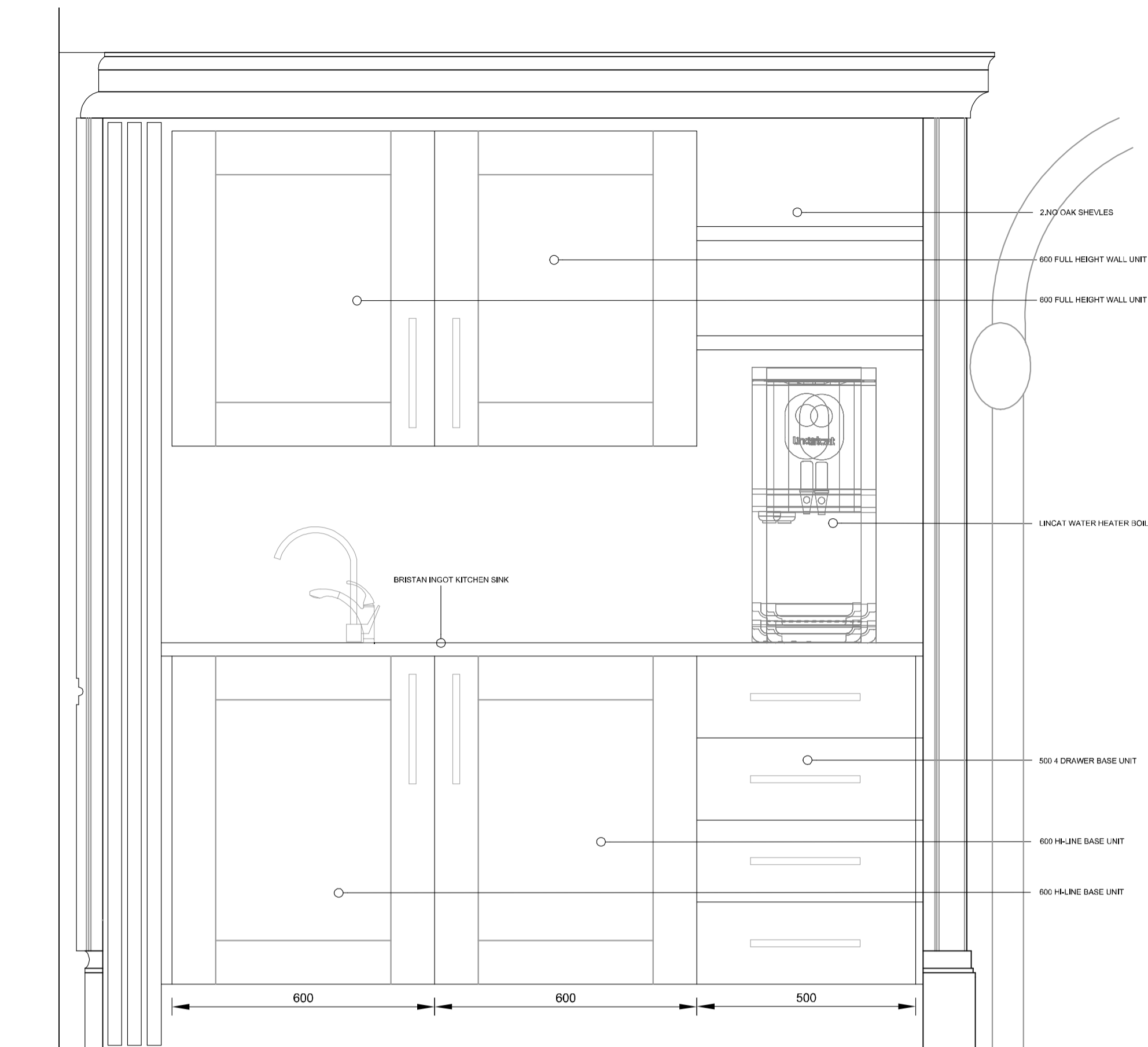
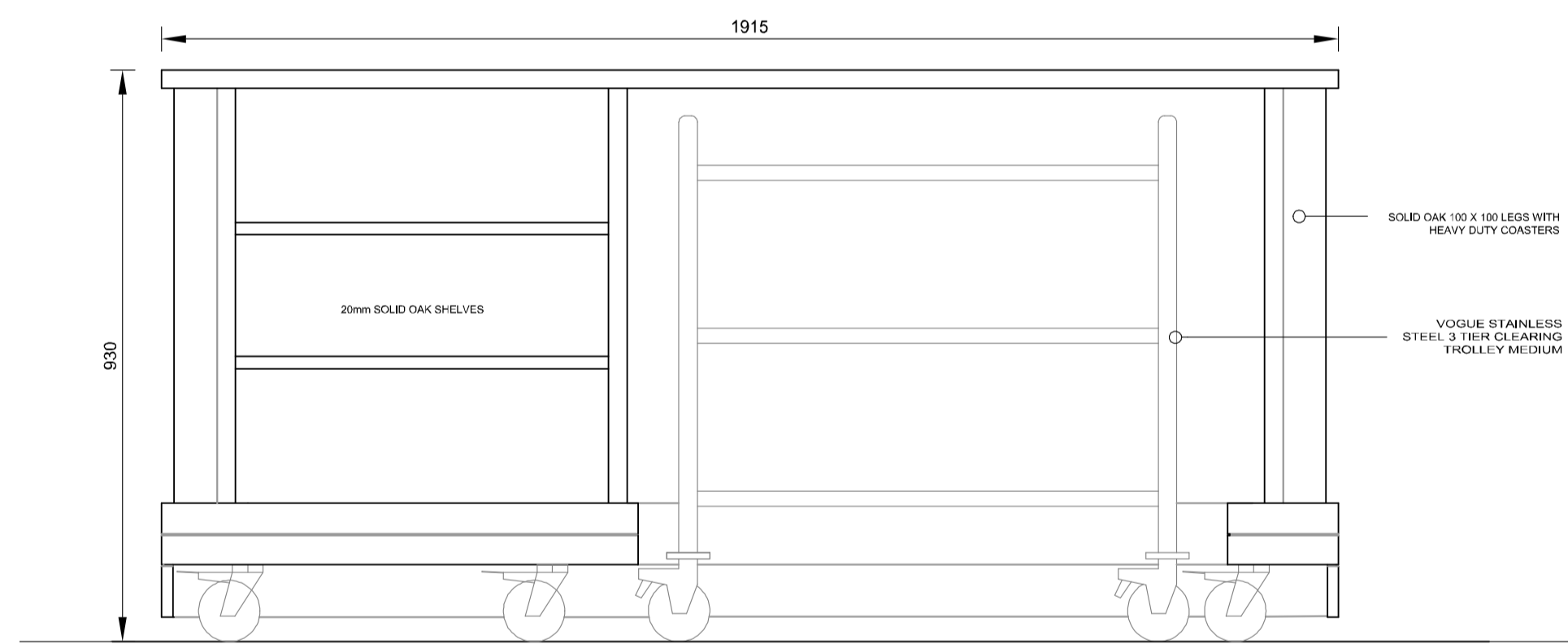


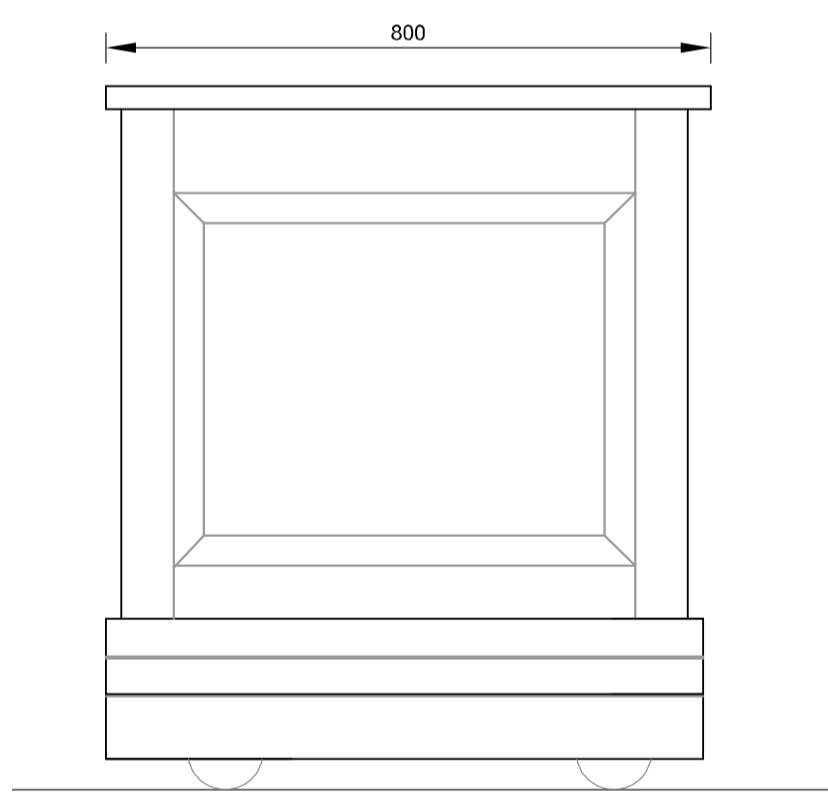
2096 KITCHENETTE ELEVATION



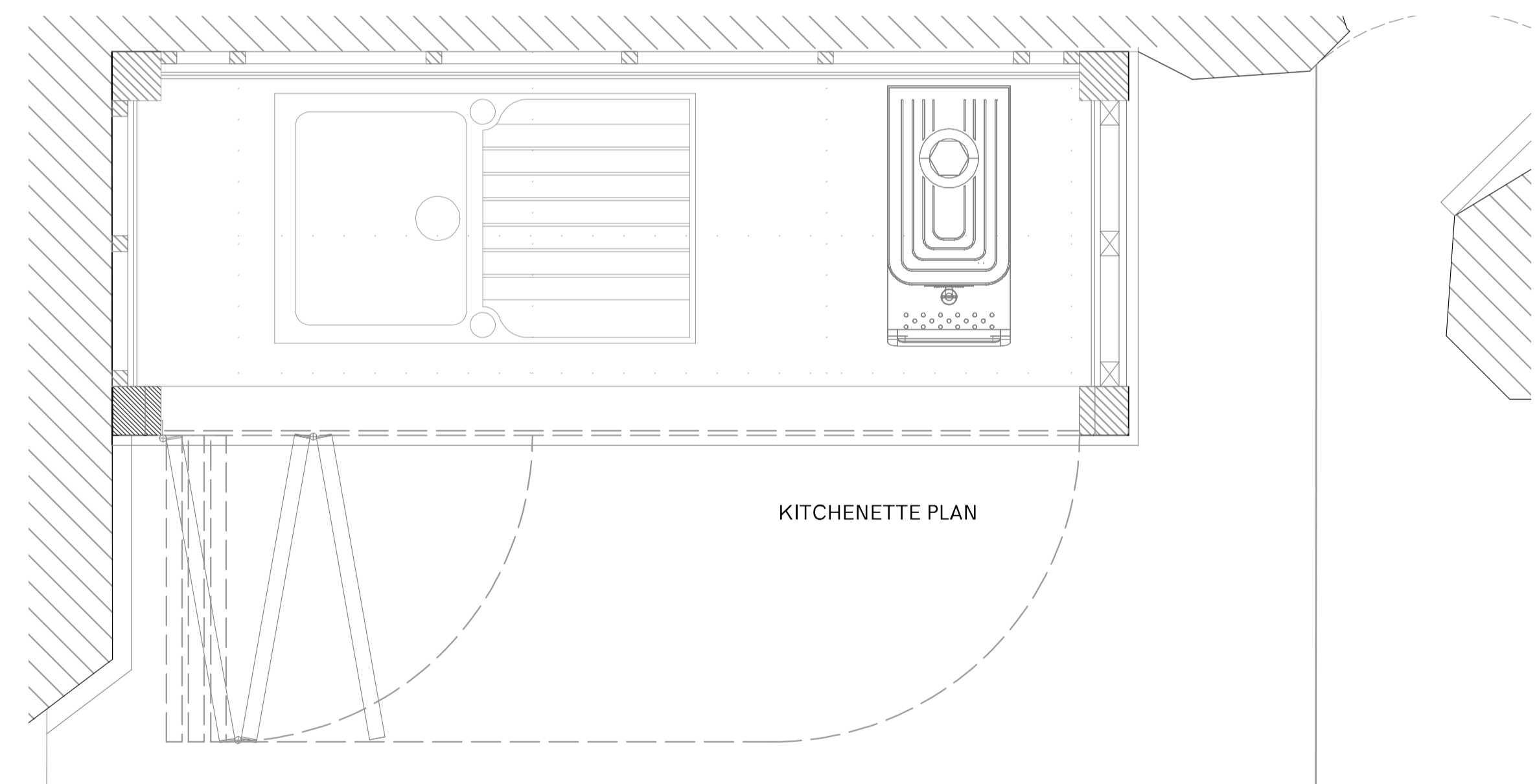
KITCHENETTE INTERNAL ELEVATION



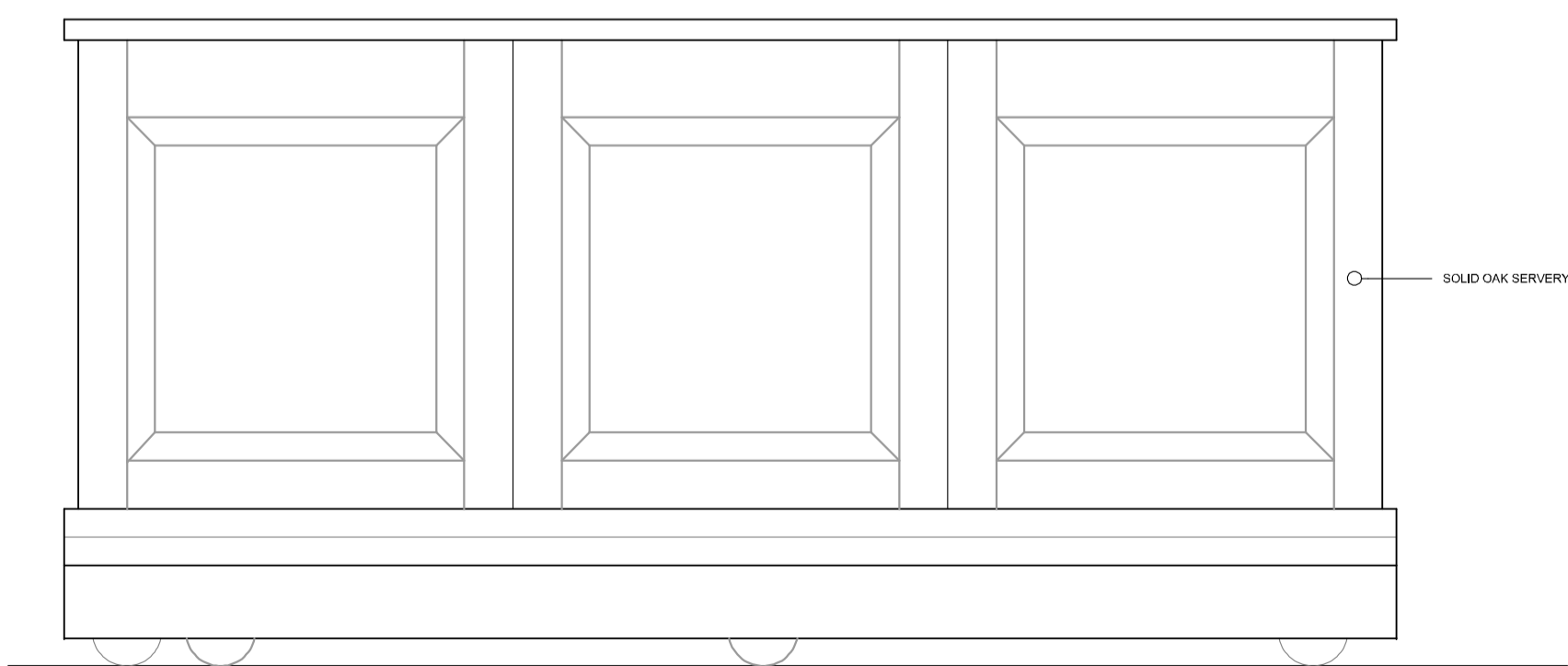
SERVERY REAR ELEVATION



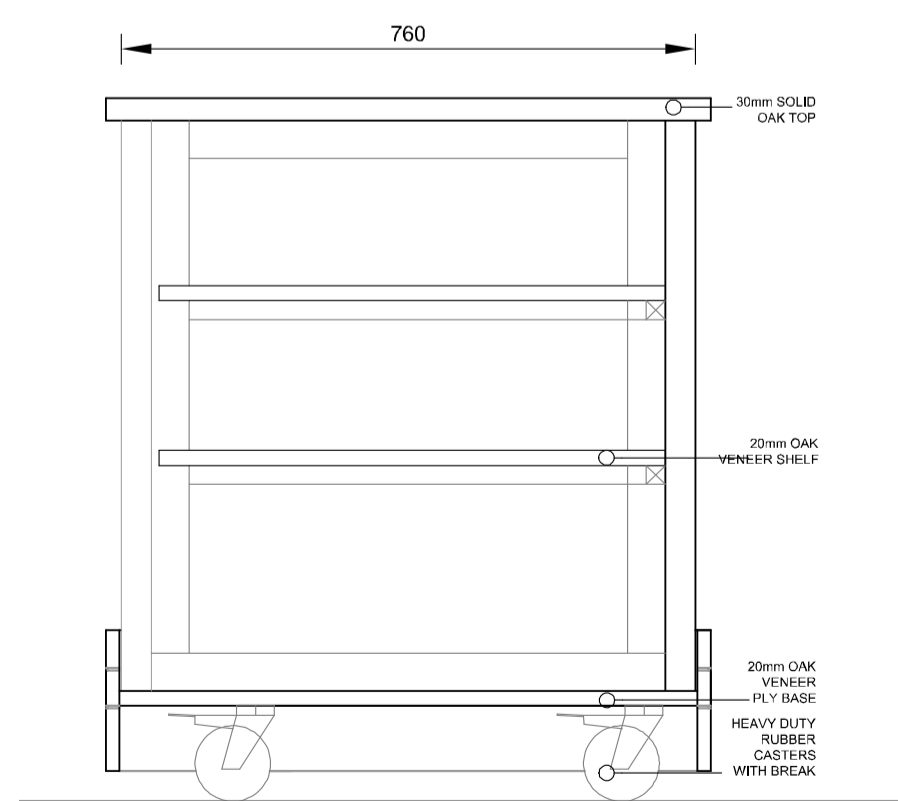
SERVERY SIDE ELEVATION



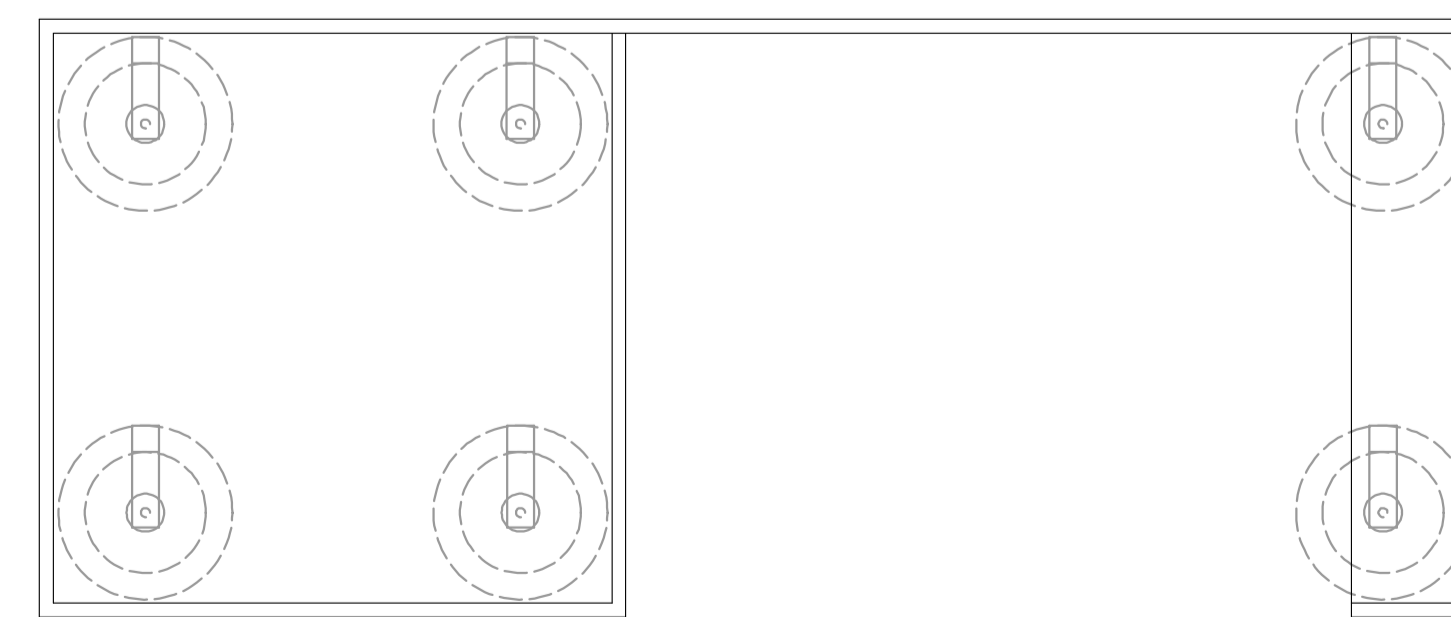
KITCHENETTE PLAN



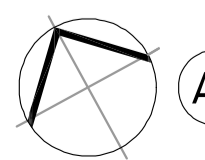
SERVERY FRONT ELEVATION



SERVERY SECTION



SERVERY PLAN



A1

ST. PETER'S CHURCH, ST. ALBANS. HERTFORDSHIRE

OCTOBER 2021

1089/7-1C110

MICHAEL DALES PARTNERSHIP LIMITED  
01582 881210 | 01494 372210 | WWW.MDALES.UK

